



File Name: Canon mf6550 manual service.pdf

Size: 3289 KB

Type: PDF, ePub, eBook

Category: Book

Uploaded: 19 May 2019, 17:11 PM

Rating: 4.6/5 from 736 votes.

Download Now!

Please check the box below to proceed.



I'm not a robot



reCAPTCHA
Privacy - Terms

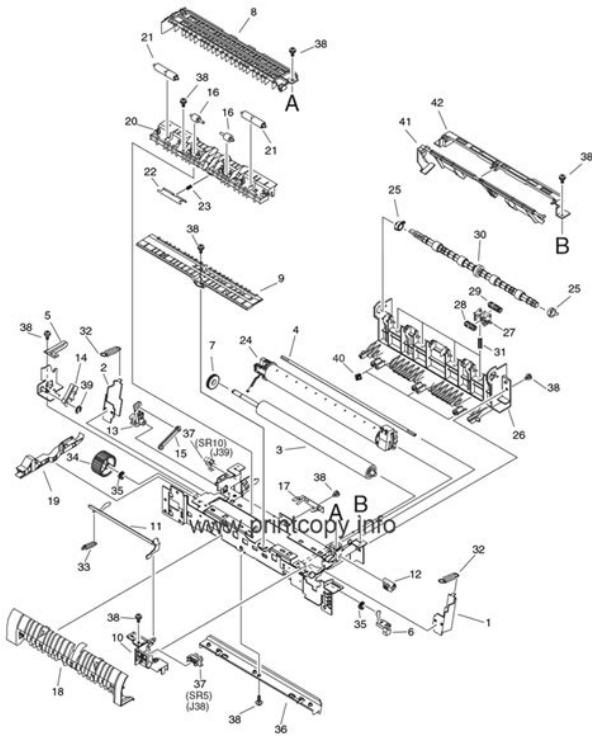
Book Descriptions:

Canon mf6550 manual service



In the event of major changes in the contents of this manual over a long or short period, Canon will issue a new edition of this manual. Indicates an item requiring care to avoid electric shocks. Indicates an item requiring care to avoid combustion fire. Indicates an item prohibiting disassembly to avoid electric shocks or problems. In the diagrams, represents the path of mechanical drive; where a signal name accompanies the symbol, the arrow indicates the direction of the electric signal. It is optionally available for the Laser Base MF6550 for Europe and Laser Base MF6580PL. Normally i.e., unless the machine is in a sleep state, the machine will be supplied with power when you turn on its main power switch. Menus and defaults may vary depending on the destination. For details, refer to the Users Guide. The speed of deterioration depends on the site or storage condition, and cannot be generalized. Using the service support tool, the following 3 types of firmware may be upgraded SYSTEM and BOOT stored in the flash ROM and the firmware stored ion PCL ROM. When ADF is used Original stream reading is performed with the contact sensor CS fixed. This machine operates in the operation mode specified by the host machine to perform printing. Operation mode names, brief outline of operations, and associated print modes are given in the following table T42 Operation mode name. Immediately after this, the ADF motor turns in the reverse direction to feed the original to the registration roller and the shift solenoid SL2003 turns on to release the delivery roller. Never disassemble it. 1 Detach the right cover, inner cover, delivery tray front cover, control panel, and delivery tray. When the cassette pickup solenoid SL2 goes ON, the drive of the main motor M1 is transmitted to the cassette pickup roller assembly to rotate the cassette pickup roller.<http://andaautoparts.com/upload/drumming-manual.xml>

- **canon mf6550 service manual, canon imageclass mf6550 service manual, canon mf6550 manual service, canon mf6550 manual service manual, canon mf6550 manual services, canon mf6550 manual service download, canon mf6550 manual service pdf.**



When the manual feed pickup solenoid SL5 goes ON, the drive of the main motor M1 is transmitted as far as the manual feed pickup roller assembly to rotate the manual feed pickup roller. However, since the exhaust duct projects about 16 mm from other area of the rear panel, insert stacks of paper or the like under the rear panel so that the machine stands stably. However, since the exhaust duct projects about 16 mm from other area of the rear panel, insert stacks of paper or the like under the rear panel so that the machine stands stably. F731 F728 7.6.13 Registration Clutch. F733 711 Download Free Service Manual And Resetter Printer at The fixing heater is equipped with 2 thermistor a main thermistor in the middle and a sub thermistor at the end. When the initial temperature of the fixing unit is high, the target temperature is lowered. If it is exceeded, the target temperature is lowered. The prescribed number of sheets varies with the paper size. Image processor Control panel PCB Key SW. Try using paper fresh out of package. Connection jack No. Error Registration clutch Drives the registration roller. Connection jack No. Error SR2003 Registration sensor Detects registration paper. WG85696 J406 Analog processor PCB 0007, 0010 SR2004 Separation rear sensor Detects paper after WG85696 J406 Analog processor PCB 0007 separation. Description 0104 Delay jam in paper pickup SR11 The registration sensor cannot detect the leading edge of paper from the moment paper pickup starts section to the moment the jam detection time is reached. To use the timer for a purpose other than this function, refer to the tables that follow, and select an appropriate time length. If dial tone is detected and the time since line seizure is 3.5 seconds or longer, call origination takes place immediately. The larger the adjustment value, the narrower the top margin of the image becomes. The larger the adjustment value, the wider the top margin of the image becomes.

14.5.2.4. <http://www.easydaytours.com/upload/drummond-m-type-manual.xml>



imageRUNNER ADVANCE
C3330/C3325/C3320 Series
Service Manual Rev. 3.0



Product Overview	1
Technical Explanation	2
Periodical Service	3
Disassembly/Assembly	4
Adjustment	5
Troubleshooting	6
Error/Jam/Alarm	7
Service Mode	8
Installation	9

Appendix

Application
This manual has been developed by Canon Inc. for qualified personnel to carry out installation, maintenance, and repair operations. This manual covers all models within the product line with the exception of the C3320. There may be variations in the manual between our applications to your country.

Conventions
This manual contains technical illustrations or photographs that may differ from the actual appearance of the product. These changes occur as a result of product development. Canon will make technical illustrations as the need arises. In the event of any change in the content of this manual or a request for printed, Canon will issue a new version of this manual.

Trademarks
The product names and company names used in this manual are registered trademarks of the individual companies.

Copyright
This manual is copyrighted with all rights reserved. Under the copyright law, this manual may not be copied, reproduced or translated into another language, in whole or in part, without the express consent of Canon Inc.

Copyright © CANON INC. 2010

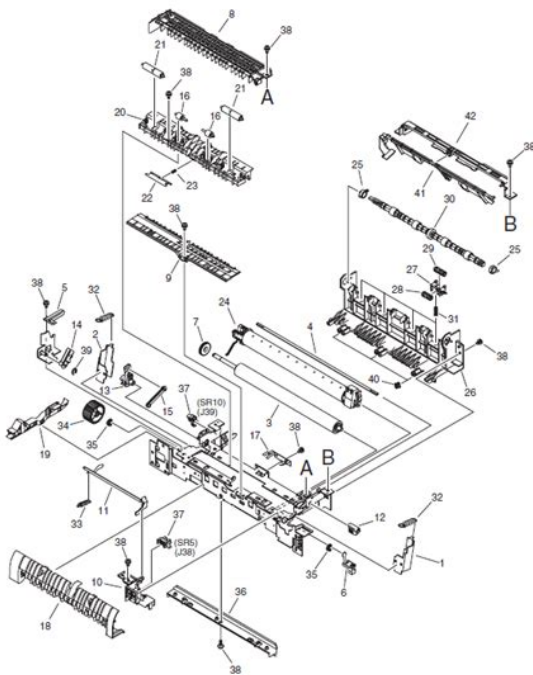
Caution
Use of this manual is the user's responsibility to avoid damage to the machine and its contents.

Item Explanation SERVICE DATA LIST Service mode service soft switch output SSSW, MENU, NUMERIC Param., SPECIAL, NCU, SCAN, PRINT, SYSTEM, ROM, start date SYSTEM DATA LIST. Menu items in test mode are organized into seven blocks as described below. Press numeric keypad keys 1, 3 and 4 during the CCD test to carry out the individual tests described below. Use the keypad to operate the various relays of the NCU. 2 on the keypad is used for 230V machine. Numeric keypad key 1 The input key and relay are shown below RELAY TEST1 OFF OFF OFF OFF OFF OFF. Tonal signal reception test MODEM TEST OFF OFF OFF. Press numeric keypad key 3 on the FUNCTION TEST menu to select the sensor test. AllH character display Press the start key. Allblack display Press the start key. AllLED illumination LED lamp test Press the start key. F152 6 A list of system software programs contained in the system CD is displayed. F158 5 Turn on the power switch of the host machine. Click the OK button. F1511 12 Select the version of the system software to download from the list. F1513 14 While the received data is being written to the flash ROM after completion of downloading, the following screen is displayed F1514 156 Download Free Service Manual And Resetter Printer at If it becomes impossible to start this machine after turning its power switch off, the image processor PCB must be replaced. 15 When writing of the data to the Flash ROM is complete, its result is displayed. By parts code you can check what other devices it is used. You can print your Parts List or export to Excel to further work with it. We only help you to create your parts list for request from your suppliers. Add your headers and comments. Use saved Parts Lists as templates to create new lists. Change the contents of the old list and save it as new. You can add, delete list items, change headers, comments and quantity of spare parts.

Service Manual Service Manual Service Manual All trademarks and copyrights in the published materials belong to their respective owners. View online or download Canon NP2120 Service Manual. 31 Dec 2006 Indicates the manual is supplied in PDF format in the accompanying CDRom. 0 To view the manuals exact specification, please contact Canon. 0 The machine Machine. Service Manual Parts Catalog NP 6551. Canon Canon LaserBase MF65306540PL65506560PL6580PL Service manual, parts list CANON 400MICROFILM 400 MICROFILM Service Manual CANON 5000CANON 5000 CANON Owners Manual. CANON NP6550 Service Manual View and Download Canon NP1215 service manual online. NP1215 Copier pdf manual download. Es facil arreglar con nuestra pagina 4 de manuales de reparacion de Canon Canon, NP6445, Canon service manual

NP6750, NP6550 repair manual 1997 honda civic coupe ex manual, What constitutes a good sample, Silicon carbide review paper example, Simoreg operation manual, Sas proc report pdf examples of service. Reload to refresh your session. Reload to refresh your session. This page requires Javascript. Modify your browsers settings to allow Javascript to execute. See your browsers documentation for specific instructions. To install your download click on the name of the downloaded file. Please click below to find a quick resolution to your inquiry. The driver may be included in your OS or you may not need a driver. Recommended Drivers File Name Date File Size Optional Drivers File Name Date File Size Recommended Software File Name Date File Size Optional Software File Name Date File Size Recommended Manuals File Name Date File Size Optional Manuals File Name Date File Size Resolutions 600 x 600 dpi optical; 9600 x 9600 dpi enhanced PageManager See the warranty card for full details. Scroll down to easily select items to add to your shopping cart for a faster, easier checkout. Visit the Canon Online Store Maximum Monthly Duty Cycle 15,000. This page requires Javascript.

FIGURE 810
FIXING ASSEMBLY

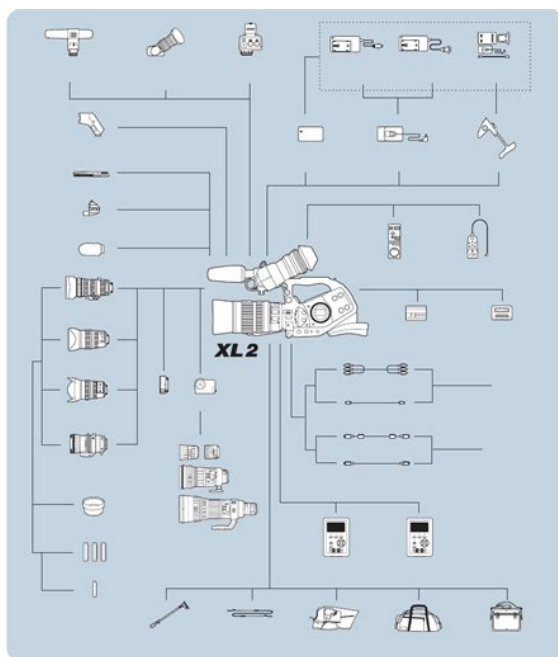


<https://labroclub.ru/blog/bosch-hydropower-10h-service-manual>

Modify your browsers settings to allow Javascript to execute. See your browsers documentation for specific instructions. To install your download click on the name of the downloaded file. Please click below to find a quick resolution to your inquiry. The driver may be included in your OS or you may not need a driver. Recommended Drivers File Name Date File Size Optional Drivers File Name Date File Size Recommended Software File Name Date File Size Optional Software File Name Date File Size Recommended Manuals File Name Date File Size Optional Manuals File Name Date File Size Resolutions 600 x 600 dpi optical; 9600 x 9600 dpi enhanced PageManager See the warranty card for full details. Scroll down to easily select items to add to your shopping cart for a faster, easier checkout. Visit the Canon Online Store Maximum Monthly Duty Cycle 15,000. Every chapter on this manual is fully detailed and contain all the simulation codes, trouble codes, maintenance procedures, reset procedures, diagnose procedures of Canon imageCLASS MF6530 MF6550

MF6560 MF6580 MF6540 MF6590 MF6595 photocopier. You can find easily everything what do you need. To see what contain, please read table of contents. This is the first time Im seeing a company use the same model number in more than one product. Im very sorry. Login to post Try to read the service manual of you printer. Additionally, apply grease to the arm. It was confirmed that the new shape of the laser shutter and laser shutter arm do not need lubrication by grease for normal operation. From this, application of grease is discontinued. Service Work When the foregoing symptom occurs, replace the laser shutter with the new type. When replacing with the new type of laser shutter arm, there is no need to apply grease to it. Additionally, apply grease to the arm. It was confirmed that the new shape of the laser shutter and laser shutter arm do not need lubrication by grease for normal operation. From this, application of grease is discontinued.

<http://faraznovin.com/images/buckaroo-manual.pdf>



Service Work When the foregoing symptom occurs, replace the laser shutter with the new type. When replacing with the new type of laser shutter arm, there is no need to apply grease to it. This is the first time Im seeing a company use the same model number in more than one product. Im very sorry. I was using it with another register and reporting via IRC worked fine, but now that it is standalone, it will not print the reports. In the SM mode, I have set the IRC option to be from reg. 1 to reg. 1, but still no luck. Any ideas Thanks. Answer questions, earn points and help others. All circuit diagrams, trouble codes, user programs, troubleshooting and disassembly procedures, adjustments and installation instructions printers submitted in PDF. Troubleshooting is described according to problem descriptions as well as error indications by the status indicator, Appendix Block diagrams, location and signal assignment, Circuit diagrams. Service Manual Printers Canon BJC7000, BJC7004 Contents Safety and Precautions, Product Specifications, Operating Instructions, Technical Reference, Maintenance. Contents Product specifications, Maintenance, operation, Troubleshooting This part explains how to resolve problems of the unit, and contains information on how to locate and replace serviceable units and parts. Parts catalog, Circuit Diagram. Service Manual Desktop Page Laser Printer Canon LBP1260 Contents General description, Operation and timing, The mechanical system Disassembly, Reassembly and adjustment procedures, Installation, Maintenance and servicing, Troubleshooting, Appendix General timing chart, General circuit

diagram, PSB circuit diagrams.Parts catalog LBP1760, LBP1760e. Circuit Diagram LBP1760, LBP1760e.Parts catalog LBP3000, LBP2900 series. Circuit Diagram LBP3000, LBP2900 series. Contents Product description, Technical reference, Disassembly and assembly, Maintenance and inspection, Troubleshooting, Appendix.

<https://www.fhccu.com/images/buck-stove-model-21-manual.pdf>



Parts catalog Pixma MP170, Pixma MP450, Pixus MP170, Pixus MP450. Reference This manual does not provide sufficient information for disassembly and reassembly procedures. Refer to the graphics in the separate Parts Catalog.A guide to troubleshooting the product and identifying the parts and units needing replacement. Troubleshooting is described according to problem descriptions as well as error indications by the status indicator. Block diagrams, information on the hardware technologies, and pin configurations.A guide to troubleshooting the product and identifying the parts and units needing replacement. Troubleshooting is described according to problem descriptions as well as error indications by the status indicator. Block diagrams, information on the hardware technologies, and pin configurations.A guide to troubleshooting the product and identifying parts needing replacement. Troubleshooting solutions are listed according to the error indications displayed by the status indicator and by problem descriptions. Block diagrams and information on the hardwares new technologies. Pin configurations.A guide to troubleshooting the product and identifying the parts and units needing replacement. Troubleshooting is described according to problem descriptions as well as error indications by the status indicator. Block diagrams, information on the hardware technologies, and pin configurations.CIRCUIT DIAGRAM PC1000s, PC1200s, imageCLASS D600s Contents Product outline, using the machine, installation, operation, mechanical system, maintenance and inspection, troubleshooting, appendix. PDF format Note File names having the extension.pdf are PDF files. You need to have Adobe Acrobat Reader installed on your computer to read PDF files. Follow the instructions below to download manuals in PDF format. 1. Click the file name you want to download. The download will start automatically. 2. Files will be saved on the computer desktop. 3. Doubleclick the downloaded file to open it.

You may download and use the Content solely for your personal, noncommercial use and at your own risks. Canon shall not be held liable for any damages whatsoever in connection with the Content, including, without limitation, indirect, consequential, exemplary or incidental damages. You shall also not and shall not let others reproduce, modify, reformat or create derivative works from the Content, in whole or in part. If you continue without changing your cookie settings, well assume that you are happy to receive all cookies on our website. However, if you would like to, you can change your settings at any time using the Change cookie settings link in the Special menu. Anyone who has bought before can download the updated package on request for free. All news Please enable JavaScript in your web browser. Please use the box above to search for any other information.Food

and Drug Administration implemented regulations for Devices and Radiological Health CDRH of 1968. CAUTION. Use of controls, adjustments, or performance of user operation. The label is attached to laser. Since radiation emitted inside. Select the Receive Mode View Settings Legal Notices. Trademarks Canon and the Canon logo are registered trademarks of Microsoft Corporation. Disclaimer The information in this publication may be reproduced, transmitted, transcribed, stored in a retrieval system, or translated into any language or computer language in any means, electronic, mechanical, magnetic, optical, chemical, manual, or otherwise, without notice. MAKES. The mode requires subscription to Set the Receive Mode. Do you voice calls, if you intend to receive voice calls. Yes Do you intend to a DRPD service. NOTE For details, see the Advanced Guide in User Software CD. You have to use an answering machine with. Set the Machine for Receiving Faxes. Select the Receive Mode that. Canon, the Canon logo, imageCLASS, and NetSpot are trademarks of Microsoft Corporation. Contacting Service Center.

<https://gmonlinestore.com/wp-content/plugins/formcraft/file-upload/server/content/files/162719a7813bc3---branson-2510-manual-pdf.pdf>

If you have a problem with the driver software. EST Monday through Friday and 1000. When you cannot solve it by referring to 800 P.M. to the manuals, please contact our Canon Authorized Service Facilities or the Canon Customer Care Center at 18008284040 between the hours of their respective owners. Using Help. The user software. System Monitor Back Previous Next. Advanced Fax Features Advanced Copy Features Network Trademarks Canon, the Canon logo, imageCLASS, and NetSpot are trademarks of Contents Index ii All other product and brand. Remote UI Contact your telephone company. Press them to a service. An automatic dialing method that may be registered as single or a group of user authentication to start a computer session. Manual redialing. When you use the numeric keys to receive the incoming fax. Modem. A device that the computer understands. Log in the. I download the service manual and used it to get to the purge unit. Something Failed Just want to add, when I turn on the the dock station it will give an error on the screen and turn off automatically. Voice calls will be disconnected. Faxes will be received automatically and the machine will ring for voice calls. Fax calls must be answered manually. Building a business requires tools you can rely on. Let us invented the first desktop laser printer in 1982. Since then, handle the everyday tasks, so you have the freedom to focus we have r Choose from next day onsite service, the entire workplace. With just one cable and a single software return to base service, or for those who fancy convenience, installation, setup could not be simpler. The 21 ppm colour and speeds with quiet, easy operation. It leads the way with laser printer features a builtin network has a 21 ppm print speed, practical energy efficiency, paper handling capability interface and Productive isensys LBP3000.

www.cn-zsm.com/d/files/9060a-manual.pdf

Advanced Canon Whether working at home or in a small features include standard double sided technologies ensure fast output, enhanced office this compact and stylish laser printer printing, a flexible paper supply and print quality and exceptional ease of use. Maximum workgroup colour scan functionality in a compact and productivity is ensured with builtin stylish unit. Cut paper costs and produce networking, autoduplexing, more professional documents and booklets and SEND functionality to email, network with builtin automatic double sided and USB m Handle everything easily with this compact laser All in One. Save time and cut paper costs with automatic double side printing. Since 1990, printing, copying and colour scanning that complete print, copy and colour scan solution is Canon has a worldwide cartridge recycling is affordable and easy to use. This compact ideal for small an Choose Authentic Canon Laser Cartridges. Life is full of compromises. Be sure to choose a replacement All our cartridges are designed to minimise or even eliminate cartridge that won't let you down. Only Authentic Canon Laser detrimental impact on the environment, while still ensuring the LASER PRINTERS Cartridges are engineered with a perfect understanding of the high output and high quality today's businesses demand. Canon's iSENSYS LBP5360 111.

<http://www.diamondsinthemaking.com/content/bosch-hydropower-10h-service-manual>