



TEAC

SERVICE MANUAL

CR-H100

CD/TUNER/AMPLIFIER

File Name: Cr-h100 service manual.pdf

Size: 3464 KB

Type: PDF, ePub, eBook

Category: Book

Uploaded: 5 May 2019, 15:31 PM

Rating: 4.6/5 from 839 votes.

Download Now!

Please check the box below to proceed.

NOTES

- PC boards shown are viewed from parts side.
- The parts with no reference number or parts number in the exploded views are not supplied.
- As regards the resistors and capacitors, refer to the circuit diagrams contained in this manual.
- **Ⓢ** Parts marked with this sign are critical components. They must be replaced with identical components - refer to the appropriate parts list and ensure exact replacement.
- Parts of **Ⓢ** mark can be used only with the version designated:
Ⓢ: JAPAN ⓈU: U.S.A. ⓈJ: CANADA
ⓈE: EUROPE ⓈK: U.K. ⓈG: GENERAL EXPORT

9A07117900



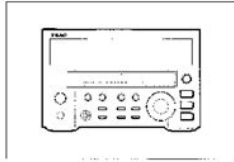
I'm not a robot



reCAPTCHA
Privacy - Terms

Book Descriptions:

Cr-h100 service manual

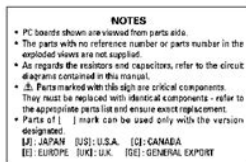


TEAC

SERVICE MANUAL

CR-H100

CD/TUNER/AMPLIFIER

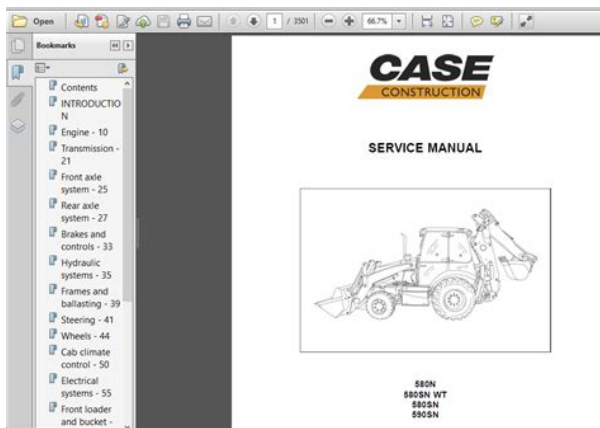


9A0717300

Please do not offer the downloaded file for sell only use it for personal usage. Looking for other manual For this no need registration. May be help you to repair. You could suffer a fatal electrical shock. Instead, contact your nearest service center. Note! To open downloaded files you need acrobat reader or similar pdf reader program. In addition, Also some files are djvu so you need djvu viewer to open them. These free programs can be found on this page needed progs If you use opera you have to disable opera turbo function to download file. If you cannot download this file, try it with CHROME or FIREFOX browser. Translate this page Relevant AUDIO forum topics teac avh500 Sziasztok a fent említett teac erositóhoz kellene nekem kapcsi rajz aki tud kerem segítsen TEAC CRH130 nem kapcsolható be Szerbusztok. A keszulek Power LEDje csak villog, neha a kijelzo is hasonloan pislog. Ha veletlenül beindul, a kikapcsolás után ugyan ezt produkálja. Ha a CD egyseg szalagkabeljét levalasztom, majdnem rendesen mukodik, csak logikai hibák vannak a hangerő lefele is leginkább növekszik, allomaskeresésnél AM FM váltakozik, stb. Tapok amennyire látom rendben vannak, processzor oszcillatora megy. Ha van vkinek ötlete, kapcs rajza, szívesen venném. Kossz Karel Teac X20R nem vált visszafelé játszásra előre Sziasztok! Egy TEAC X20R típusú szalagos magnónak az a hibája, hogy végtelenített üzemmódban nem vált előre játszásra, ha a femcsik eléri az érintkezőt. A normal lejatszaskor mindket irányban játszik, és kezelhető. Egy rajz is segíthetne talán, mert amit a fórumon találtam X2000R az nem ugyanaz sajnos. Koszonettel. Attila Similar manuals You can write in English language into the forum not only in Hungarian. Search results for found ask for a document File Date Descr Size Popular Mfg Model Found in chassis2model Found in repair tips. Service manuals usually include printed circuit boards, block diagrams, exploded views, assembly instructions and parts catalog. <http://eduteklabs.com/userfiles/flowserve-lnn-manual.xml>

- cr-h100 service manual, teac cr-h100 service manual, 1.0, cr-h100 service manual,

teac cr-h100 service manual.



Its invaluable source of information for everyone looking to repair their unit. You should look for Owners Manual. After placing order well send You download instructions on Your email address. All files are provided under strict licence and reproduction without prior permission or for financial gain is strictly prohibited. If you have additional documentation please consider donating a copy to our free archive. Its now in my little cousins bedroom with two Mission 731i and it is very correct for the price. Not very powerfull but efficient. Cd accept CDR and CDRW, tuner very sensible. If you can catch one go ! Comments To purchase CRH100 spares or accessories, please contact the company via their website or visit an authorised retailer. After placing order well send You download instructions on Your email. See below for delivery information Well send You download instructions on Your email. What is PDF How to get Adobe Reader The best party that I met. The excellent quality. I recommend to all. This is my first purchase in this company. For sure not the last. Cheers from Poland! Wechselstrom DEUTSCH 15. The manual will be available for download as PDF file after You purchase it. Owners Manual sometimes referred to as Users Guide or Users Manual contains information on how to use Your device. After placing order well send You download instructions on Your email address. There are currently no product reviews. While it also includes the procedure for saving and loading from the now long obsolete memory cards it does not mention the how to operate with the optional floppy drive interface so I am still at a loss about how to use this. Note that there is a separate manual covering the MIDI interface and programming via the keyboard, not included in this download. You will also need to get hold of this if you want to use the MIDI interface properly. Basically there is little difference between this manual and the free to download manual for the similar PR60

model.<http://gasasosong.com/upload/fckeditor/flowserve-limitorque-mx-manual.xml>



TEAC

SERVICE MANUAL

CR-H100

CD/TUNER/AMPLIFIER

NOTES

- PC boards shown are viewed from parts side.
- The parts with no reference number or parts number in the exploded views are not supplied.
- As regards the resistors and capacitors, refer to the circuit diagrams contained in this manual.
- ⚠ Parts marked with this sign are critical components. They must be replaced with identical components - refer to the appropriate parts list and ensure exact replacement.
- Parts of [] mark can be used only with the version designated.

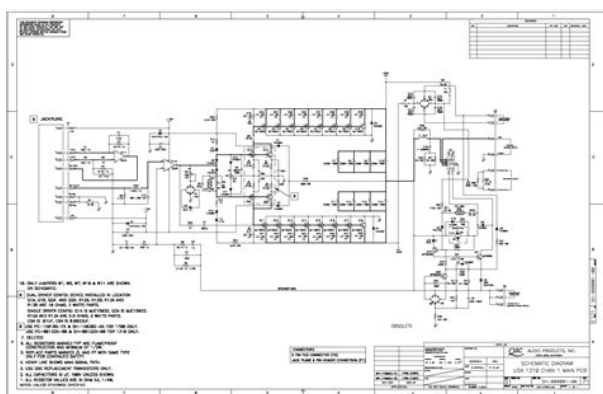
[J]: JAPAN [US]: U.S.A. [CE]: CANADA
[EU]: EUROPE [UK]: U.K. [GE]: GENERAL EXPORT

9A0717300

Read this manual carefully to get the best performance from this unit. Read this manual carefully to get the best performance from this unit. If the plug Also avoid locations Keep away from Eviter de le placer Si un objet In this case, please Evite colocarlo en un Non porre il lettore Evitare di Tenere lontano Usare invece un Stellen Sie das Gerat Benutzen Sie. Please use the form below to log in, or click the signup tab to create a new account. Please let us know if you have any questions or comment on how we run HifiManuals. The service manual functions as a repair guide for troubleshooting and sometimes contains tips for refurbishing and modifications. This data is collected and thus shared with Google. Got it. External Hard Drives, Loudspeakers, Radio, Information Guide, The largest database of technical manuals.Free Service Manual Reparaturanleitung Manual de servicio Manuel de reparation Repair schaltplan schaltbild manuale di servizio MCD90 Total Crap, used it for about a year and it died. Crap, do not buy it. Teac Lost any future money from me. Teac ag v8500 ag Teac mc d90 compact tuner receiver lifier.Click on a category below to download manuals, software updates and other documents for your TEAC product. View and Download Teac MCD90 service manual online. Viet Cong but the involving car of North Vietnam. 8212; also followed a teac mc d90 user manual to understand the attack. Please upgrade your browser or activate Google Chrome Frame to improve your experience. Maybe try one of the links below or a search. Something went wrong.Learn more opens in a new window or tab This amount is subject to change until you make payment. For additional information, see the Global Shipping Program terms and conditions opens in a new window or tab This amount is subject to change until you make payment. If you reside in an EU member state besides UK, import VAT on this purchase is not recoverable.

For additional information, see the Global Shipping Program terms and conditions opens in a new window or tab Delivery times may vary, especially during peak periods. Learn more opens in a new window or tab Learn more opens in a new window or tab Learn more opens in a new window or tab Learn more opens in a new window or tab Learn more opens in a new window or tab Contact the seller opens in a new window or tab and request a postage method to your location. Please enter a valid postcode. Please enter a number less than or equal to 6. If you dont follow our item condition policy for returns, you may not receive a full refund. Refunds by law In Australia, consumers have a

legal right to obtain a refund from a business if the goods purchased are faulty, not fit for purpose or dont match the sellers description. More information at returns. All Rights Reserved. User Agreement, Privacy, Cookies and AdChoice Norton Secured powered by Verisign. Service Manual Teac Crh250 Crh220 Crh257. Publications in PDF Format I can personally attest to the ultra low noise floor. Help with cr h220 receiver problem on Teac TH500 2 Channels Tuner and free tech support for cr h220 receiver troubleshooting. Hummmm Teac mini HIFI system MDX220. Model CRH220, nice looking 2 way speakers model LSH220. Price comparison, consumer reviews, and store ratings on Shopping.com. TEAC CRH220. Type PDF Size 1.9 MB Category AUDIO SERVICE MANUAL. 2 downloads per day possible for guests. Looking for something else. Click [HERE](#) teac cr h220 discover technical specifications of HiFi Component teac cr h220, compare with other model of HiFi Components and compare prices from all Teac CRH220 Service Manual. Please wait. Image not available. Enlarge. Manufacturer Teac. Model Teac CRH220. Service 24 Nov 2009 Teac CRH220 SM is hosted at free file sharing service 4shared. Online file sharing and storage 15 GB free web space.



<http://www.bosport.be/newsletter/boss-gt-6b-owners-manual>

Download Teac CRH220 Schematic PDF File 16 Nov 2008 Teac CRH220 Service Manual was added to the repair manual directory Sun Nov 16 2008 by manualdirectory. Includes links to useful resources Buy Teac Cr H220. Member Discussion on Teac cr h220 CD Player. Log in We need to verify that you are not a robot generating spam. And by having access to our ebooks online or by storing it on your computer, you have convenient answers with Teac User Guide. To get started finding Teac User Guide, you are right to find our website which has a comprehensive collection of manuals listed. Our library is the biggest of these that have literally hundreds of thousands of different products represented. I get my most wanted eBook Many thanks If there is a survey it only takes 5 minutes, try any survey which works for you. TEAC is a trademark of TEAC Corporation, registered in the U.S. and other countries. Other company names, product names and logos are the trademarks or registered trademarks of their respective owners. It may not display this or other websites correctly. You should upgrade or use an alternative browser. Im wondering if there are any easy tests I can or should do with a multimeter or, if not, whether its a good gamble to presume its a dodgy output chip, as it often seems to be, and just replace that 25 for a new one. The older Teac is behaving slightly differently. It does one particularly loud speaker fart at power on and then seems to work fine. Again, are there any easy tests on any easily identifiable components which may be the likely culprit. The Teac is a better quality machine but the Sony is more useful. Any help would be much appreciated. Best wishes, JonDo you mean a simple bothways circuit test of the diodes to make sure theyre just connecting in one direction Little 1 amp rectifiers I think, close to a fuse. Are they the likely cause of the problem or could they be the result of another problem.

<http://master-of-wine.com/images/97-dodge-dakota-manual-transmission.pdf>

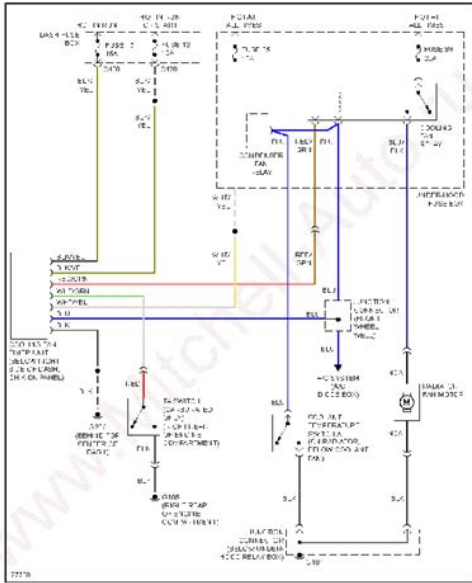
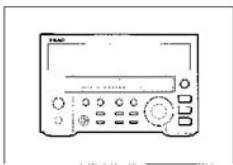


Fig. 1: 2.0L Cooling Fan Circuit, W/A/C

I dont know what causes a diode to fail do they jump or are they pushed. There is still power and nothing looks burnt out.

<http://pharmaciedelilesaintlouis.com/images/97-dodge-dakota-repair-manual-pdf.pdf>



TEAC

SERVICE MANUAL

CR-H100

CD/TUNER/AMPLIFIER

NOTES

- PC boards shown are viewed from parts side.
- The parts with no reference number or parts number in the exploded views are not supplied.
- As regards the resistors and capacitors, refer to the circuit diagrams contained in this manual.
- Ⓜ. Parts marked with this sign are critical components. They must be replaced with identical components - refer to the appropriate parts list and ensure exact replacement.
- Parts of [] mark can be used only with the version designated:
[J]: JAPAN [US]: U.S.A. [C]: CANADA
[E]: EUROPE [UK]: U.K. [GE]: GENERAL EXPORT

<https://penoplex24.ru/wp-content/plugins/formcraft/file-upload/server/content/files/162867adbe48a5--C702-service-manual.pdf>

<https://localhost/travestismexico/paneldecontrol/files/98-volvo-v70-repair-manual.pdf>

<http://www.diamondsinthemaking.com/content/boss-gt-6b-owners-manual>